

SLIMTORQ HYDRAULIC TORQUE WRENCH

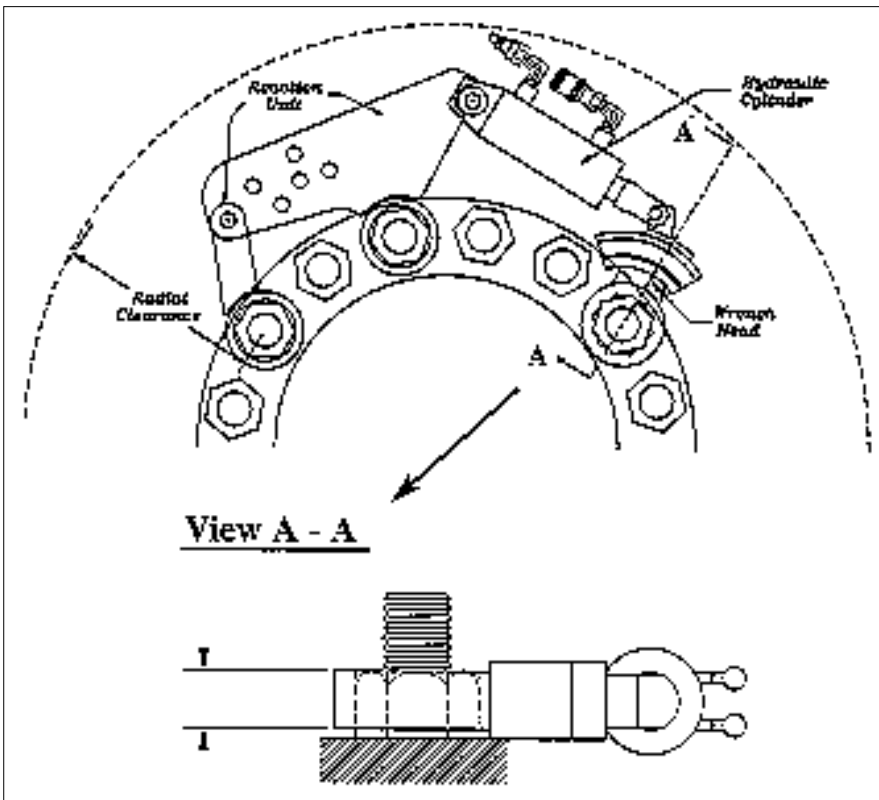
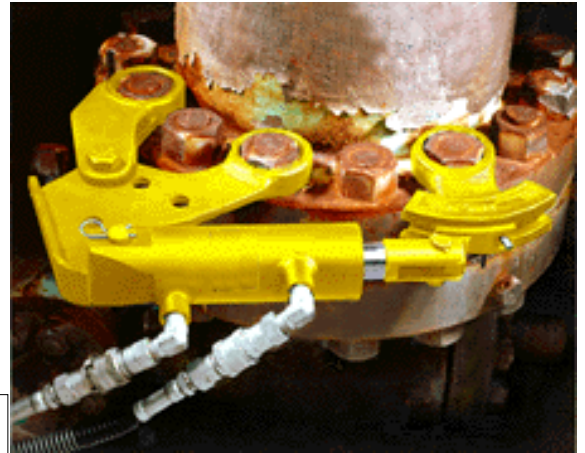
TITAN SLIMTORQ Wrenches

Provides safe, accurate torquing in the tightest, hard-to-reach spaces!

SEMI-RATCHET WRENCH HEAD! The cylinder is engaged during both power and retraction strokes, insuring safety of operation.

DURABLE! Simple, strong, in-line precision-cast stainless steel components provide maximum dependability.

VERSATILE! Interchangeable wrench heads and reaction units are available for standard nut sizes within each SLIMTORQ series, and larger or smaller sizes can be customized.



ULTRA THIN DESIGN!

Fits easily in tight spaces where there are obstructions above the nuts. The wrench is thinner than the nut height.

CUSTOM DESIGNS AVAILABLE!

SLIMTORQ can be custom built to fit almost any application or to solve special problems. Higher torque outputs are also available upon request.

FAST AND EFFICIENT!

Delivers 60 degree turn of the nut before resetting the wrench.

Wrench profile is narrower than the nut height.

Model	Color	Maximum Torque		Range of bolt sizes		Range of nut		Radial Clearance	
		ft-lb. @ 5500 psi	N-m @ 380 bar	in.	mm	in.	mm	in.	mm
150-4	orange	3240	4390	3/4-1 1/4	19-32	1 1/4-2	32-51	9	228
200-6	yellow	8640	11,710	1 3/8-2	33-52	2 3/16-3 1/8	55-80	11	280
250-9	green	20,250	27,440	1 7/8-3	48-85	2 15/16-4 5/8	75-120	14	356
325-12	blue	41,840	56,200	2 3/4-3 1/2	70-89	4 1/4-5 3/8	110-135	20	500
325-18	black	68,440	92,740	3 1/2-4 1/4	89-108	5 3/8-6 1/2	135-165	25	685
400-24	black	138,230	187,300	4-5 1/4	102-133	6 1/8-8	155-210	30	762