

TITAN Mission Statement

Our mission is to be the leading global provider of high-end bolting solutions for the benefit of our customers, our shareholders, our employees and our partners by providing:

- Direct customer relations and local presence in the markets served.
- Superior products and services.
- Total customer solutions.

Our unwavering mission guides our everyday actions....
Customer driven product development fuels our growth....
Listening to customer needs builds our market leadership....
Continuous improvement is fundamental to our continued success.

Titan Technologies - Different from other companies that sell bolting products and services. Titan is a solutions based company which features a vast array of solutions to any bolting application.



People: Titan enjoys a worldwide network of experienced experts trained to recommend the most cost-effective solution for your bolting job.

Technical Expertise - Bolting applications experience in multiple industries including power generation, oil and gas, chemicals, pulp and paper and more.



Quality: All of our products are designed using the latest aerospace finite element design techniques and machining technology.

Local Service - Extensive network of independent sales representatives and authorized dealers located worldwide.



Engineering: Titan spends a higher percentage of its revenue in research and development to ensure the highest quality and most durable products on the market.

**Quality Guarantee
Extensive Warranty**

ADDITIONAL PRODUCTS & SERVICES OFFERED

- LP Series Hydraulic Torque Wrenches
- HydraJac Bolt Tensioners - Modular Style
- HydraJac Bolt Tensioners - Dedicated Style
- HydraNut Hydraulic Nuts
- Power Spreader Flange Spreaders
- Power Splitter Nut Splitters
- Air Tite Pneumatic Torque Wrenches
- Sockets & Accessories
- Striking Wrenches
- Rentals For All Product Lines
- Equipment Service & Repair
- Calibration Service



9001 Jameel Street Suite 180
Houston, TX 77040

Toll-Free: 866.345.8484

Phone: 281.449.9994 • Fax: 281.449.9996

Email: sales@titanti.com

http://www.titanti.com

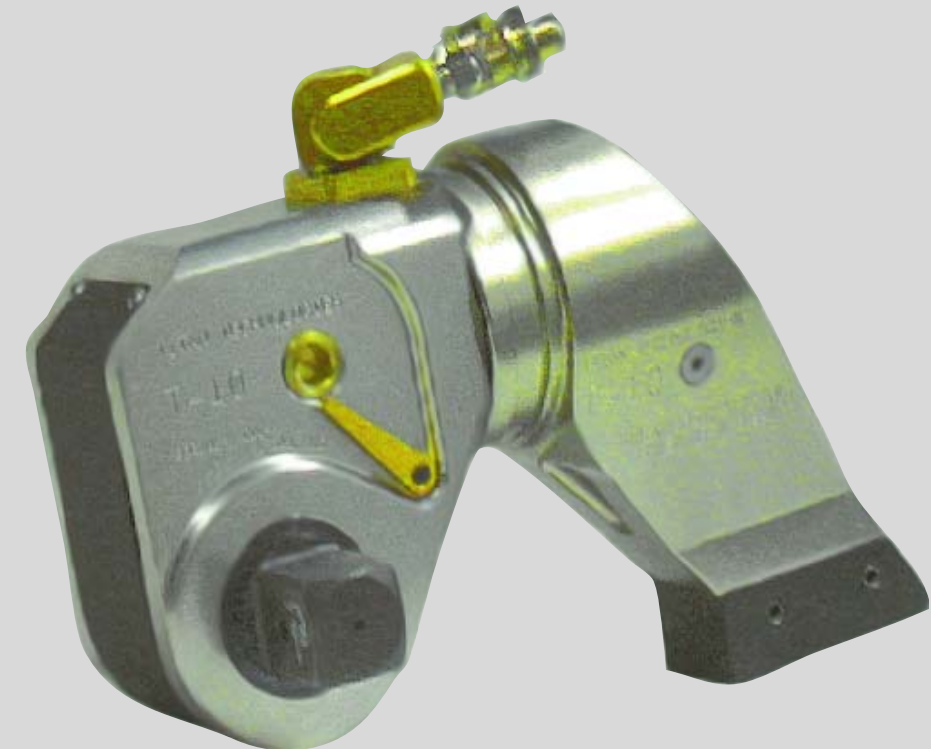


BR_TT_12-10-2007

Your Local **TITAN** Representative:



Dependable • Fast • Efficient
**TITAN T-Series
Hydraulic Torque Wrenches**
are an integral element to get
your bolting job done right, on time, every timeSM



TITAN is a leading bolting solutions provider committed to offering the most reliable and comprehensive bolting solutions world wide.



- Certified Torque Accuracy + / -3%
- Calibration Certification supplied with each tool



- Calibrated & ready for use
- Powerful
- Compact
- Accurate
- Durable

T-Series Hydraulic Torque Wrenches



- Faster
- Light-Weight
- Efficient

TITAN's Patented Technology T-SERIES The New Global Standard for Hydraulic Torque Tools.



- **Patented Zero Deflection Housing** - For Exceptional Strength, resulting in longer tool life and less repair cost.
- **TITAN Tru-Swivel™** - Advanced patented, Multi-Axis design provides a low profile combined with ease of motion.
- **Designed from finite element** - Insures Quality - lower total cost of ownership.
- **Patented Piston Dampening System** - Eliminates tool breakdown normally incurred from over stroke and shock damage resulting in longer tool life and lower repair costs.
- **Finely crafted** - of the highest quality Aircraft Grade Materials for unrivaled strength and long life.
- **Guaranteed Quality** - Titan backs its products with the strongest warranty in the business.
- **Unique Drive Pawl Design** -for unrivaled durability accuracy and efficiency.
- **TITAN T-SERIES - Proven!** Titan Technologies is the fastest growing company in our industry. We provide a better engineered tool at competitive prices. Our tools are designed for longer life so your total cost of ownership is less with Titan. The quality of the products, our service and our people are the reason for this unprecedented growth.

Accessories for the T-Series Tool

- Extended & Short Reaction Arm
- Square Drives
- Direct Drives and Sockets
- Impact Sockets
- Square & Hex Drive Accessories
- Hex stock
- Custom Engineered Solutions



Hydraulic Power Units

ENGINEERED FOR QUALITY ... BUILT TO LAST!

**FOUR times
the LIFE EXPECTANCY
of our competitors!**



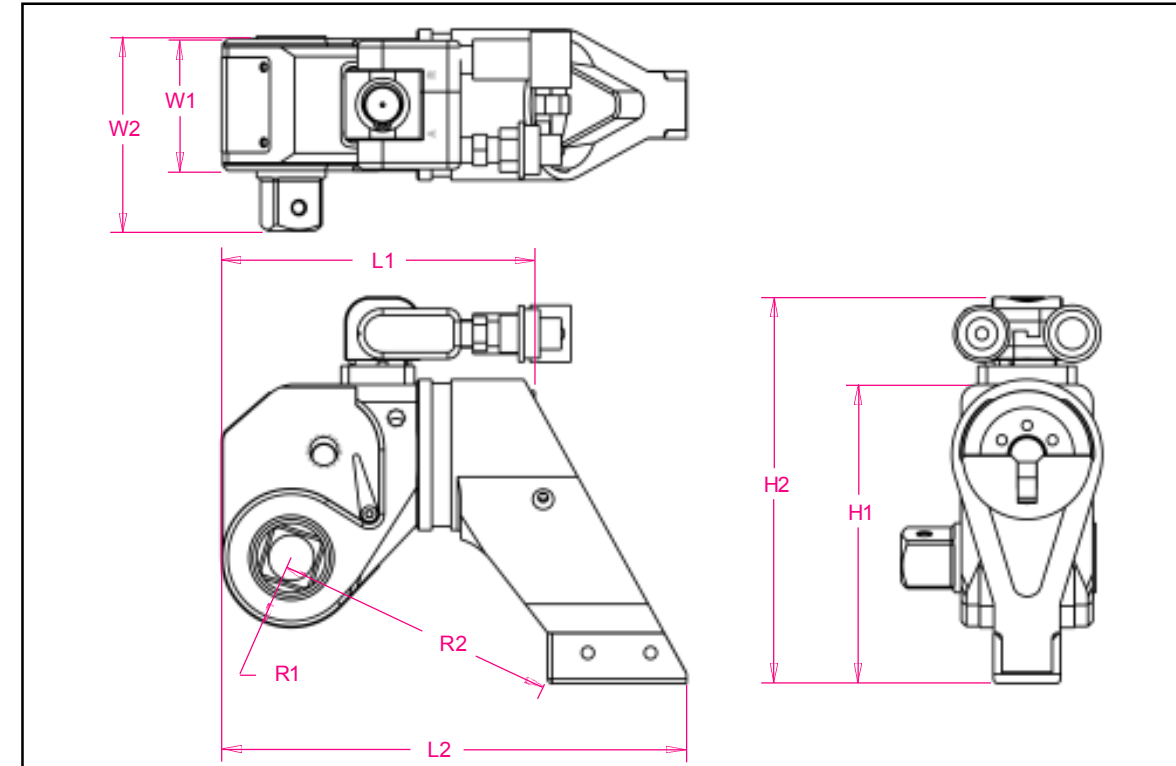
Titan's Patented Piston Dampening system protects the tool and the operator when loosening the most stubborn fasteners.



Fast, Dependable, Accurate. Titan T-Series gets the job done even in the most hostile environment.



Patented Multi-Axis Swivel provides for better accessibility and prevents hose kinking.



High Quality Impact Sockets are Available in Fractional, Metric, 12-Point and Castellated styles.



Titan's patented housing makes the difficult job, easier.

| TITAN MODEL NUMBER | | T1 | T3 | T5 | T8 | T10 | T25 | T50 |
|---|---------|-------------|--------------|-------------|----------------|---------------|----------------|----------------|
| Square Drive Size | (In) | 3/4 | 1 | 1-1/2 | 1-1/2 | 1-1/2 | 2-1/2 | 2-1/2 |
| Optional Square Drive Sizes | (In) | 1/2 & 1 | 3/4 & 1 1/2 | 1 & 2 1/2 | 1 & 2 1/2 | 1 & 2 1/2 | 1 1/2 & 3 1/2 | 3-1/2 |
| Range Optional Hex Drive Sizes (Other sizes and special drives are available upon request) | (In) | 3/8 to 1 | 5/8 to 1 1/4 | 1 to 1 1/2 | 1 1/8 to 1 3/4 | 1 1/4 to 2 | 1 5/8 to 2 1/4 | 1 5/8 to 2 3/4 |
| | (mm) | 9 to 26 | 16 to 32 | 26 to 38 | 28 to 45 | 32 to 51 | 41 to 57 | 41 to 70 |
| Torque Range | (Ft-Lb) | 140 to 1400 | 310 to 3150 | 560 to 5600 | 810 to 8100 | 1110 to 11100 | 2480 to 24800 | 5000 to 50000 |
| | (N-M) | 190 to 1900 | 450 to 4500 | 760 to 7600 | 1100 to 11000 | 1500 to 15000 | 3360 to 33600 | 6780 to 67800 |
| Weight; Includes Reaction Arm | (Lb) | 5.0 | 10.0 | 17.0 | 25.0 | 30.0 | 70.0 | 115.0 |
| | (Kg) | 2.27 | 4.54 | 7.71 | 11.34 | 13.61 | 31.75 | 52.15 |
| DIMENSIONS | | | | | | | | |
| L1 - Body Length | (In) | 4.81 | 6.29 | 7.10 | 7.70 | 8.80 | 11.80 | 14.75 |
| | (mm) | 122.2 | 159.8 | 180.3 | 195.6 | 223.5 | 299.7 | 374.7 |
| L2 - Overall Length; Includes Arm | (In) | 6.95 | 9.59 | 11.22 | 12.57 | 13.89 | 18.52 | 21.50 |
| | (mm) | 176.5 | 243.6 | 285.0 | 319.3 | 352.8 | 470.4 | 546.1 |
| H1 - Tool Height | (In) | 3.63 | 4.93 | 5.75 | 6.50 | 7.84 | 9.60 | 15.00 |
| | (mm) | 92.2 | 125.2 | 146.1 | 165.1 | 199.1 | 243.8 | 381.0 |
| H2 - Overall Height; Includes Swivel | (In) | 4.95 | 6.75 | 7.71 | 8.49 | 9.11 | 11.55 | 16.80 |
| | (mm) | 125.7 | 171.5 | 195.8 | 215.6 | 231.4 | 293.4 | 426.7 |
| W1 - Tool Width | (In) | 1.98 | 2.63 | 3.15 | 3.57 | 3.95 | 5.25 | 7.00 |
| | (mm) | 50.3 | 66.8 | 80.0 | 90.7 | 100.3 | 133.4 | 177.8 |
| W2 - Tool Width; Includes Sq. Dr. | (In) | 2.83 | 3.89 | 4.65 | 5.09 | 5.61 | 7.48 | 9.25 |
| | (mm) | 71.9 | 98.8 | 118.1 | 129.3 | 142.5 | 190.0 | 235.0 |
| R1 - Tool Radius around the Bolt | (In) | 0.98 | 1.13 | 1.56 | 1.76 | 1.95 | 2.60 | 3.00 |
| | (mm) | 24.9 | 28.7 | 39.6 | 44.7 | 49.5 | 66.0 | 76.2 |
| R2 - Reaction Reach | (In) | 3.85 | 5.33 | 6.15 | 6.96 | 7.69 | 11.30 | 12.50 |
| | (mm) | 97.8 | 135.4 | 156.2 | 176.8 | 195.3 | 287.0 | 317.5 |